

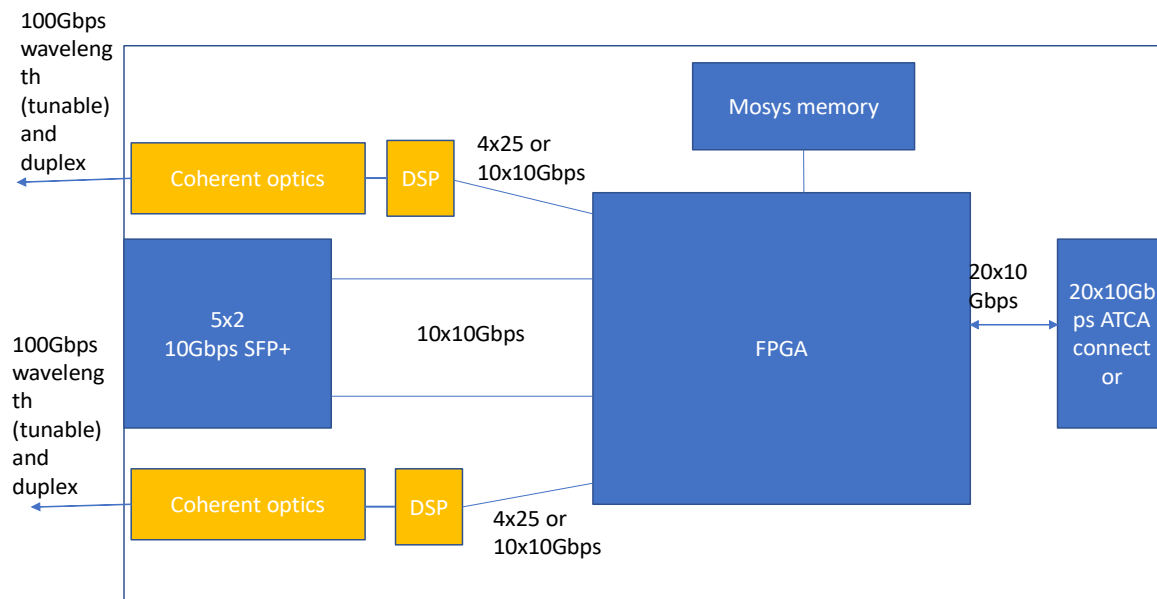


INDIAN INSTITUTE OF TECHNOLOGY BOMBAY MATERIALS MANAGEMENT DIVISION

Direct : (+91-22) 2576 8800 (DR) / 8805 (Tender Section)/8801(Local) / 8803,04,06 (Import) / 8802 (Enquiry & Bill tracking)/ 8848(Progress) Email : drrm@iitb.ac.in, bkganesh@iitb.ac.in

At IIT Bombay (IITB), we have the Gigabit Networking Laboratory that indulges in telecommunications research. The Gigabit Networking Laboratory desires to create a board with 2x100Gbps IOs. Please refer below instructions:

Proposed block diagram for 100Gbps board:



A) Pre- Qualification Criteria:

The Bidder must have achieved the following and should submit material proving the same: (Copy of supporting documents to be uploaded in Technical bid in cFolder)

1. Been in existence for more than 10 years with established business premises in India.
2. Have a cumulative revenue of 10 crores accumulated over the past 3 years.
3. Have worked on 100 Gbps muxponder or transponder module with tunable optics.
4. Have designed, fabricated, and brought up a board with (a) at least 2 Virtex 7 690T FPGAs (speed grade 2) or VirtexUltrascale or corresponding Altera device at 25 Gbps and above and also worked on 10Gbps OTN with at least 10 x 10Gbps ports as IOs.
5. Have designed, schematic, boardfile and fabricated a board with at least 20 layers and 10Gbps IOs on the board routed at the top and bottom layers.
6. Have worked with MoSys memories and made to work MoSys – FPGA interfaces.
7. Have built telecom-class cards.
8. Must have worked with 100Gbps serial module (DQPSK or any other format is also OK). Show board details.
9. Have not on the name of the vendor sold telecom products i.e. the vendor



**INDIAN INSTITUTE OF TECHNOLOGY BOMBAY
MATERIALS MANAGEMENT DIVISION**

Direct : (+91-22) 2576 8800 (DR) / 8805 (Tender Section)/8801(Local) / 8803,04,06
(Import) / 8802 (Enquiry & Bill tracking)/ 8848(Progress) Email : drrm@iitb.ac.in,
bkganesh@iitb.ac.in

does not sell telecom products in the Indian market under its own brand (non-compete clause) in the last 3 years.

B) Cancellation of award :

1. If the Bidder is found to hide detail, not disclose full use of its tools or not disclose any key working component then the award will be cancelled and the Bidder must return all the money paid to it within 45 calendar days of intimation.
2. If the Bidder is found to have fabricated their prequalification criteria, then the Purchase Order (PO) shall be cancelled and Bidder has to pay all the money paid to it within 45 calendar days of intimation.
3. If the Bidder discloses any material, design, etc. pertaining to this work to any third-party, private company, financial institution or any other person, who is not an employee of the Bidder, then it shall be deemed to have violated the NDA. In this case, the Bidder shall return all the money paid to it within 45 calendar days of intimation, in addition may face punitive relief as deemed fit by IITB.
4. No work in this tender can be off-loaded by the Bidder without written approval from the IITB PI.
5. If the PCB is fabricated by a third party, then details of the third party and copy of the PO from the Bidder to the third party must be scanned and emailed to the PI prior to third party involvement.
6. Similarly, for assembly of components, the details of the third party (if any) must be informed to the PI prior to third party involvement.

C) Exit options:

1. The Bidder awarded with contract to and IITB can mutually decide to part ways with 30-day notice sent by the Bidder to IITB
2. IITB can cancel the order at any time by giving a 30-day notice period.
3. The Bidder (vendor) must within 5 business days return all the funds repatriated from IITB to the Bidder.

D) Other Instructions:

1. Bidder must inform IITB of any component change via email and if objection is taken, resolve the objection to satisfaction of IITB.

E) Financial bid:

1. Cost of 2 boards, populated, tested for IOs with VHDL code for testing including gerbers, schematics & board file.



**INDIAN INSTITUTE OF TECHNOLOGY BOMBAY
MATERIALS MANAGEMENT DIVISION**

Direct : (+91-22) 2576 8800 (DR) / 8805 (Tender Section)/8801(Local) / 8803,04,06
(Import) / 8802 (Enquiry & Bill tracking)/ 8848(Progress) Email : drmm@iitb.ac.in,
bkganesh@iitb.ac.in

F) Terms of payment:

1. 30% on completion of gerbers and fabrication of first board against Bank Guarantee.
2. 30% on demonstrating the first board to work at our premises against Bank Guarantee.
3. 30% on demonstrating the second board to work at our premises against Bank Guarantee.
4. 10% after 180 days of the board working.

G) Guarantee: The Bidder shall guarantee to replace the board.

H) Warranty: The Bidder shall provide warranty of 1 year after delivery.

I) Delivery: 16 weeks from the issue of Purchase Order.

Sincerely,

Prof. Ashwin Gumaste,
Associate Professor,
Indian Institute of Technology, Bombay
Web: www.ashwin.name

Prof. Virendra Singh
Associate Professor,
Indian Institute of Technology, Bombay
Web: www.ee.iitb.ac.in/~viren